

PERFO-BINDER NCL-308

We are pleased to announce the launch of a new model of Perfo-Binder “NCL-308”.

After careful product research and repeated numerous tests of durability, NCL-308 is now available in the market. The new model is equipped with the similar functions of NB-200 and is designed to be more user-friendly.

Due to the introduction of NCL-308, the production of previous model NCL-108 has now been discontinued.

We believe NCL-308 will be as popular as NCL-108 and become a good succeeding model.



FEATURES:

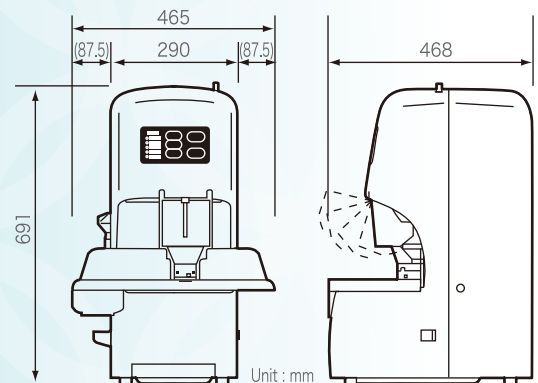


Simplified and User-Friendly Front Operation Panel.

Auto-Revolving Function of Rubber Coin – when Perforating and Binding.

Tube Ejection Function for the remainder piece of binding tube.

Auto Switch-Off Function for Energy Saving. Normal setting : After 30 minutes.



Specifications and outer appearance are subject to change without notification.